



Flow coefficient CV

NPS	DN	Class150-Class600 PN20-PN110		Class900 PN150		Class1500 PN260		Class2500 PN420	
		Full bore	Reduced bore	Full bore	Reduced bore	Full bore	Reduced bore	Full bore	Reduced bore
		Flow coefficient Cv							
½	15	24	14	24	14	24	14	24	14
¾	20	55	31	55	31	55	31	55	31
1	25	100	55	100	55	100	55	100	55
1 ¼	32	160	85	160	85	160	85	160	85
1 ½	40	260	123	260	123	260	123	260	123
2	50	450	218	450	218	450	218	330	160
2 ½	65	720	340	720	340	720	340	510	240
3	80	1100	490	1100	490	1100	490	770	350
4	100	2200	880	2200	880	2200	880	1700	680
5	125	3000	1380	3000	1380	3000	1380	2300	1060
6	150	5500	1980	5500	1980	5100	1840	4200	1500
8	200	10000	3500	10000	3500	9100	3200	7900	2800
10	250	17000	5460	17000	5460	15300	4900	13300	4300
12	300	24000	7900	24000	7900	21500	7100	18400	6100
14	350	28000	10700	26000	9940	24900	9500	-	-
16	400	36000	14000	33800	13100	31500	12300	-	-
18	450	46000	18000	43300	17000	-	-	-	-
20	500	57000	22000	53300	20600	-	-	-	-
24	600	75000	31500	70200	29500	-	-	-	-
26	650	84000	37000	-	-	-	-	-	-
28	700	93000	43000	-	-	-	-	-	-
30	750	102000	49000	-	-	-	-	-	-
32	800	110500	56000	-	-	-	-	-	-
36	900	133000	71000	-	-	-	-	-	-



Standards

Design and Manufacture: API602
 Inspection and Test: AP1598
 Socket-weld dimension: ASMEB16.11
 End threads dimension: ASME B1.20.1
 Pressure-temperature ratings: ASME B16.34

Class150~Class1500 Forged Steel Gate Valve

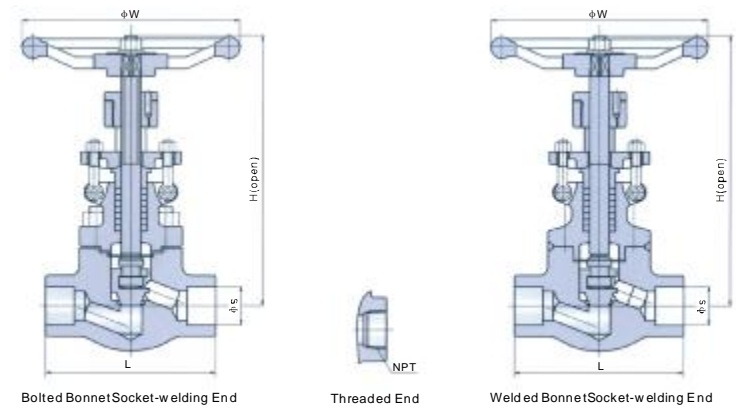


Standards

Design and Manufacture: API602
 Inspection and Test: AP1598
 Socket-weld dimension: ASME B16.11
 End threads dimension: ASME B1.20.1
 Pressure-temperature ratings: ASME B16.34

Class	Dimensions (mm)							NPT	Weight (kg)
	NPS	DN	L	d	S	H	W		
150-800	½	15	79	9.5	21.8	182	100	½	2
	¾	20	92	12.7	27.1	208	100	¾	2.5
	1	25	111	17.5	33.8	254	125	1	5
	1¼	32	120	23.8	42.6	290	160	1¼	6
900	1½	40	120	28.6	48.7	330	180	1½	7
	2	50	140	36.5	61.1	372	200	2	11
	½	15	111	9.5	21.8	182	100	½	2.5
	¾	20	111	12.7	27.1	208	100	¾	4.5
1500	1	25	120	17.5	33.8	254	125	1	6
	1¼	32	120	23.8	42.6	290	160	1¼	7
	1½	40	140	28.6	48.7	330	180	1½	11
	2	50	170	36.5	61.1	372	200	2	15
1500	½	15	111	9.5	21.8	182	100	½	4
	¾	20	111	12.7	27.1	208	100	¾	4
	1	25	120	17.5	33.8	254	125	1	7
	1¼	32	120	23.8	42.6	290	160	1¼	9
	1½	40	140	28.6	48.7	330	180	1½	12
	2	50	170	36.5	61.1	372	200	2	17

Class150~Class1500 Forged Steel Globe Valve



Standards

Design and Manufacture: API602.
 Inspection and Test: API598.
 Socket-weld dimension: ASME B16.11
 End threads dimension: ASME B1.20.1.
 Pressure-temperature ratings: ASME B16.34.

Class	Size		dimensions (mm)					NPT	Weight (kg)
	NPS	DN	L	d	S	H	W		
150-800	½	15	79	9.5	21.8	158	100	½	2
	¾	20	92	12.7	27.1	192	100	¾	3
	1	25	111	17.5	33.8	252	125	1	4
	1¼	32	120	23.8	42.6	252	160	1¼	6
	1½	40	152	28.6	48.7	289	180	1½	7
900-1500	2	50	172	36.5	61.1	330	200	2	11
	½	15	111	9.5	21.8	207	100	½	2
	¾	20	111	12.7	27.1	207	100	¾	3
	1	25	120	17.5	33.8	240	125	1	4
	1¼	32	152	23.8	42.6	258	160	1¼	6
	1½	40	172	28.6	48.7	290	180	1½	8
	2	50	220	36.5	61.1	337	200	2	13